

SONY

Hi-Fi Products
Service Bulletin

Sony Service Company - Technical Services
 A Division of Sony Corporation of America
 Sony Drive, Park Ridge, New Jersey 07656

Model: D-303

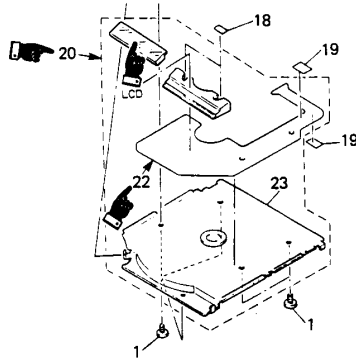
No. 226

Subject: Part Substitutions: LCD and Keyswitch Flexible Board. **Date:** December 11, 1991

Symptom:
 (**) Although the LCD and keyswitch flexible board are available separately, a special process is required to connect them to each other.

Solution: The National Parts Center will supply the complete cover block assembly when either the LCD or the keyswitch flexible board is ordered. This assembly contains the LCD and the keyswitch flexible board.

REF	PART ORDERED		REF	PART SUPPLIED BY NPC	
	NUMBER	DESCRIPTION		NUMBER	DESCRIPTION
22	1-466-507-11	PC BOARD, KEY SWITCH FLEXIBLE	20	A-3208-715A	COVER BLOCK ASSY., LID
LCD	1-809-269-11	DISPLAY PANEL, LIQUID CRYSTAL	20	A-3208-715-A	COVER BLOCK ASSY., LID



Ref. No.	Part No.	Description
14	4-912-841-01	FOOT, RUBBER
15	3-342-512-11	SCREW (81, 7X3), TAPPING
16	4-942-916-01	CLAW, LOCK
17	4-942-908-01	SHEET, INSULATING
18	3-831-441-11	CUSHION (B)
19	4-935-727-01	SPACER (FU)
20	A-3208-349-A	COVER BLOCK ASSY., LID
21	X-4941-294-1	PANEL ASSY., BOTTOM... (BLK)
21	X-4941-295-1	PANEL ASSY., BOTTOM... (GRY)
22	1-637-594-11	PC BOARD, KEY SWITCH FLEXIBLE
23	X-4941-301-1	COVER ASSY., LID
LCD	1-809-269-11	DISPLAY PANEL, LIQUID CRYSTAL

CSA-13 CD Player